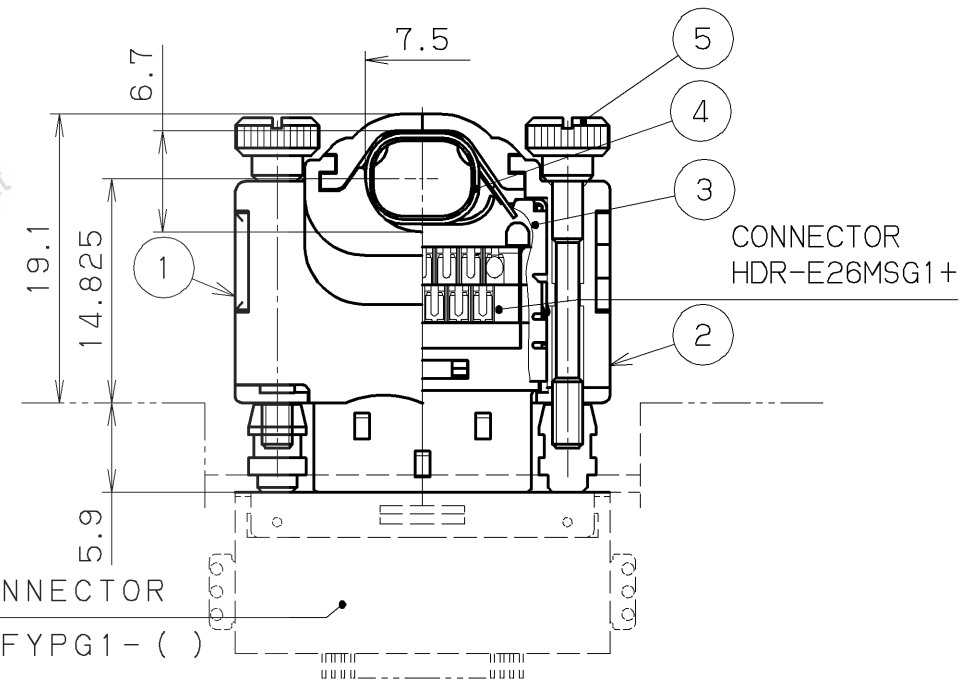
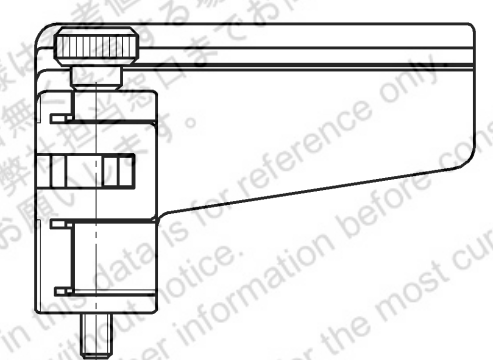


掲載している製品の特性及び仕様は参考値です。予告なく変更される場合があります。
 特性及び仕様については、予告無しに仕様変更される場合があります。お問い合わせのうえ、
 採用のご検討やご注文の際は弊社の最新仕様書にてお問い合わせをお願いします。
 The product information in this data is for reference only.
 This is subject to change without notice.
 Contact our sales staff for further information before considering or
 ordering any of our products.
 Please request Engineering Drawing for the most current and accurate
 design information.

HTK



MATING CONNECTOR
 HDR-EA26LFYPG1-()

AFTER ASSEMBLY DRAWING

△3					5	THUMB SCREW	STEEL	2	NICKEL PLATING	---	
△2					4	INNER SHELL A	STAINLESS STEEL	1	NICKEL PLATING	---	
△1					3	INNER SHELL B	STAINLESS STEEL	1	NICKEL PLATING	---	
					2	PLASTIC COVER B	ABS RESIN	1	---	UL94V-0 BLACK	
					1	PLASTIC COVER A	ABS RESIN	1	---	UL94V-0 BLACK	
LTR.	DATE	BY	REV.	DESCRIPT	No.	PART NAME	MATERIAL	QTY	FINISH	NOTE	
DATE		SCALE		UNIT		3RD. A. P		HONDA TSUSHIN KOGYO CO., LTD.			
Feb.28, 2007		2 / 1		mm (INCH)							
APP. DATE&REV.		DR.		DE.		CHK.		CHK.		APP.	
		Y. KATO		Y. KATO		---		C. NUNOKAWA		K. KASHIO	
								NAME		HDR-E TYPE CABLE COVER	
								PART NO.		HDR-E26ALPA+	
										REV.	