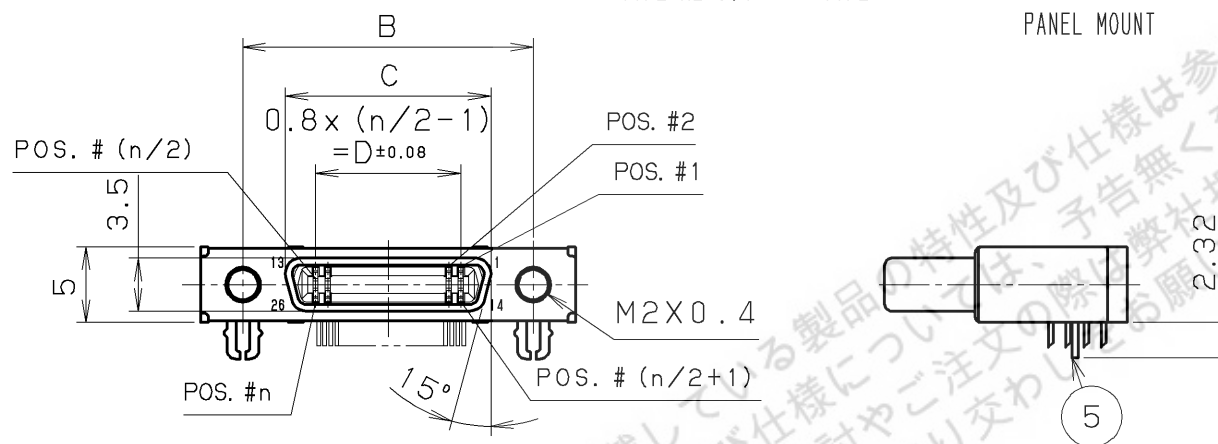
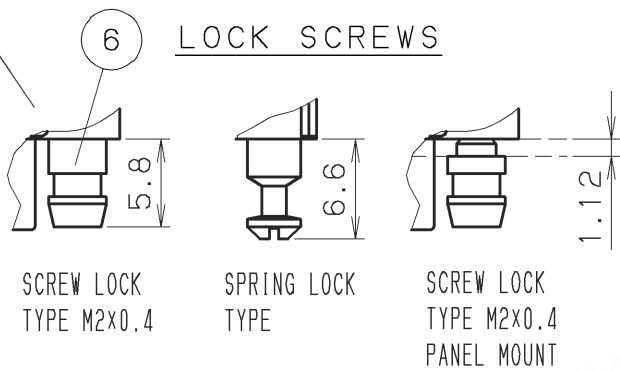
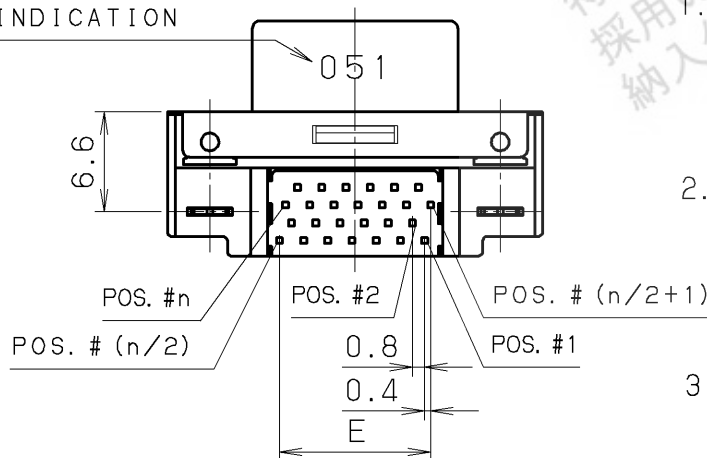


PART No.	TYPE	NOTE
HDR-EC () LFDT+	—	—
HDR-EC () LFDT-SLD+	SCREW LOCK TYPE	—
HDR-EC () LFDT-SLE+	SPRING LOCK TYPE	—
HDR-EC () LFDT-SLG+	SCREW LOCK (PANEL MOUNT)	SEE NOTE. #4



DATE CODE INDICATION



NOTE

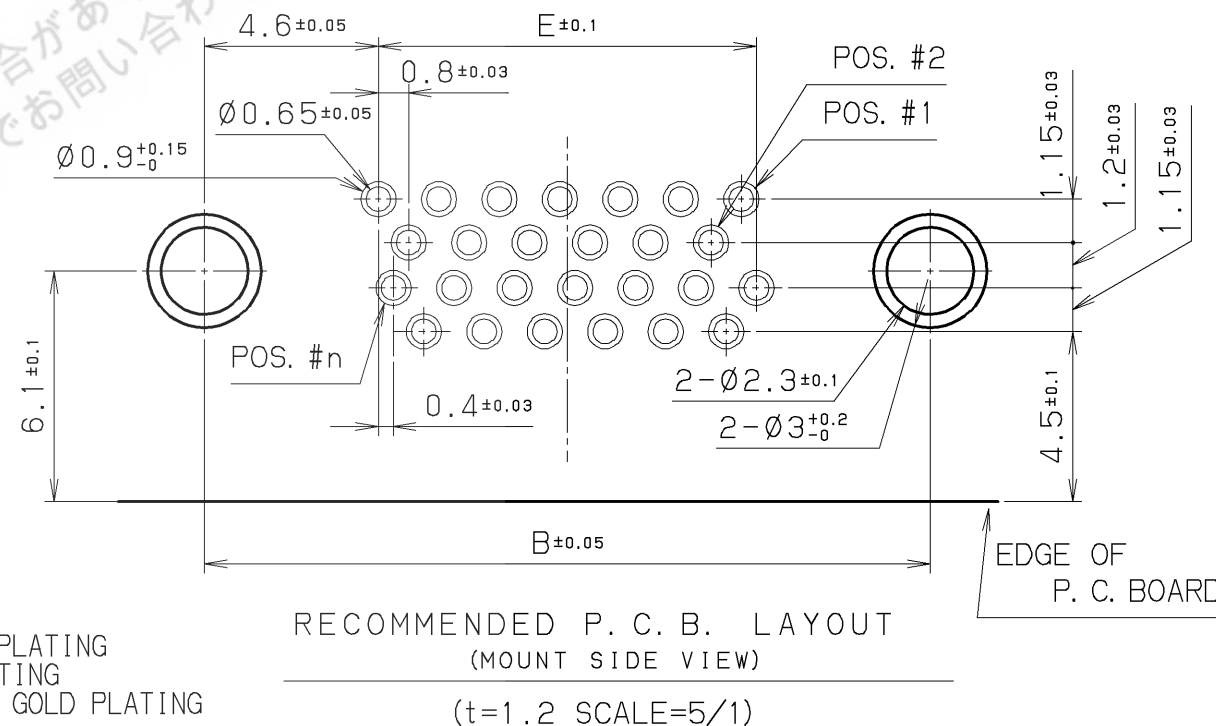
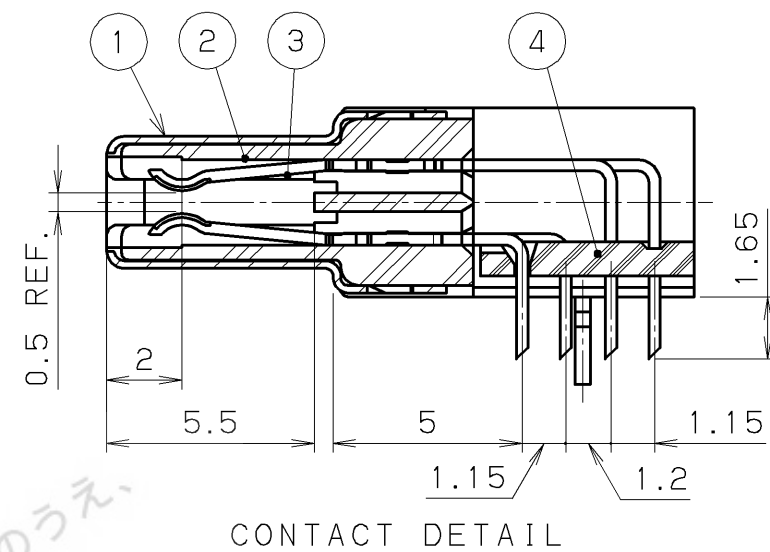
1. CONTACT PLATING
 MATING AREA: 0.1 MICRO METERS MINIMUM GOLD PLATING
 OVER PALLADIUM/NICKEL 0.5 MICRO METERS PLATING
 TERMINATION AREA: 0.05 MICRO METERS MINIMUM GOLD PLATING

UNDERPLATING: NICKEL PLATING

2. MATING CONNECTOR
 HDR-E () MAG1+

3. SPECIFICATION
 RATED CURRENT 0.5A
 RATED VOLTAGE 125V AC (r. m. s.)

4. TWO LOCK SCREWS ARE SUPPLIED WITH A CONNECTOR.



No.	PART NAME	MATERIAL	QTY	FINISH	NOTE
6	LOCK SCREW	STEEL	2	NICKEL	—
5	BOARD LOCK	PHOSPHOR BRONZE	2	TIN	—
4	BRACKET	PPS (GF)	1	—	UL94V-0 BLACK
3	FEMALE CONTACT	PHOSPHOR BRONZE	n	NOTE. #1	—
2	INSULATOR	PA9T (GF)	1	—	UL94V-0 BLACK
1	SHELL	STEEL	1	NICKEL	—

LTR.	DATE	BY	REV.	DESCRIPT	No.	PART NAME	MATERIAL	QTY	FINISH	NOTE
	DATE		SCALE		UNIT					
	Jan.20.2005		2 / 1		mm (INCH)					
	APP. DATE&REV.									
	DR.	DE.	CHK.	CHK.	APP.					
	Y. KATO	Y. KATO	—	C. NUNOKAWA	H. EBIHARA					
						NAME	0.8mm SPACING RIGHTANGLE FEMALE CONNECTOR			
						PART NO.	HDR-EC () LFDT- () +			REV.

PART NO.	n (NO. OF POS.)	A	B	C	D	E
HDR-EC50LFDT- () +	50	34.4	28.8	23.2	0.8x24=19.2	19.6
HDR-EC26LFDT- () +	26	24.8	19.2	13.6	0.8x12=9.6	10
HDR-EC14LFDT- () +	14	20	14.4	8.8	0.8x6=4.8	5.2
DIMENSIONS						