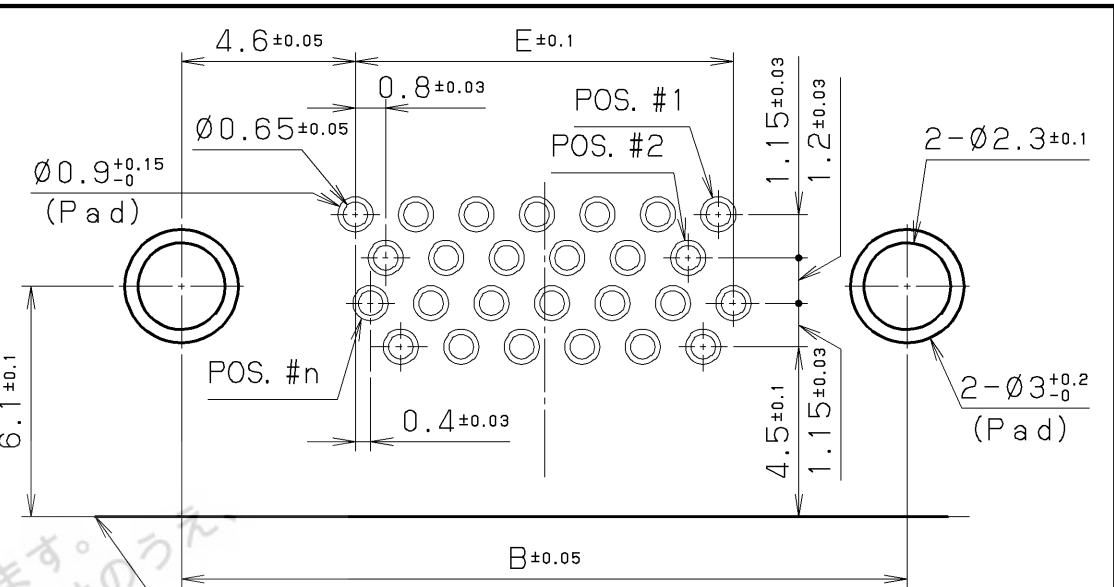


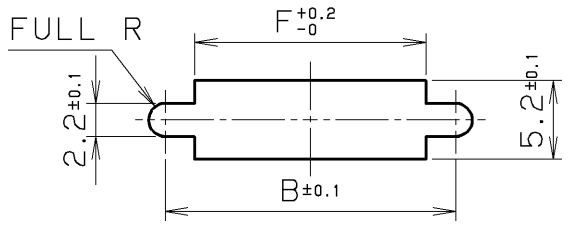
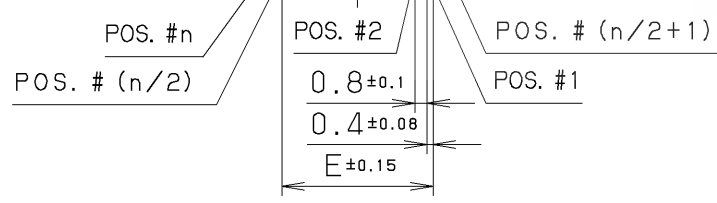
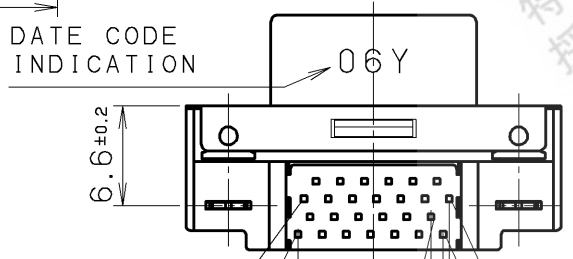
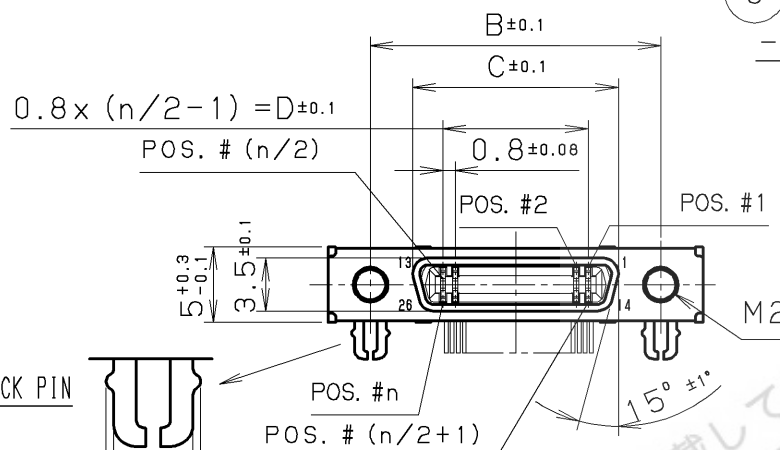
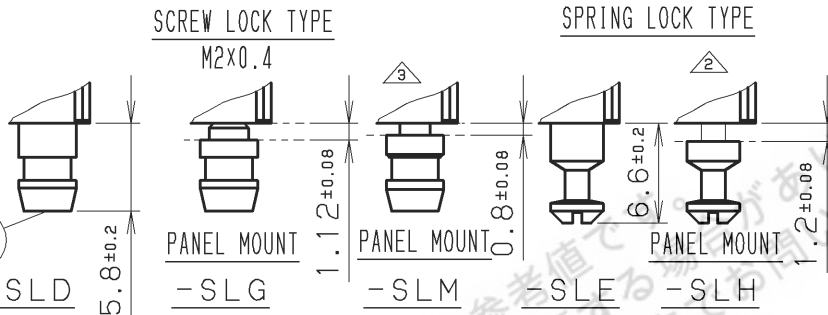
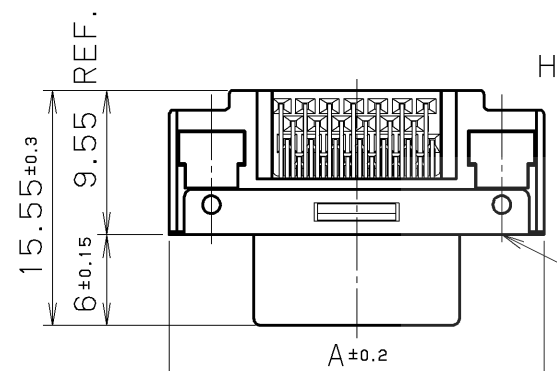
50	34.4	28.8	23.2	0.8x24=19.2	19.6	24.9
26	24.8	19.2	13.6	0.8x12=9.6	10	15.3
14	20	14.4	8.8	0.8x6=4.8	5.2	10.5
n (No. of pos.)	A	B	C	D	E	F

Dimensions

	W/O lock screws		
-SLD	Screw lock		
-SLE	Spring lock		
-SLG	Screw (panel mount)	1.12	Note.#4
-SLH	Spring (panel mount)	1.2	Note.#4
-SLM	Screw (panel mount)	0.8	Note.#4
	Lock type	Panel thickness	Note



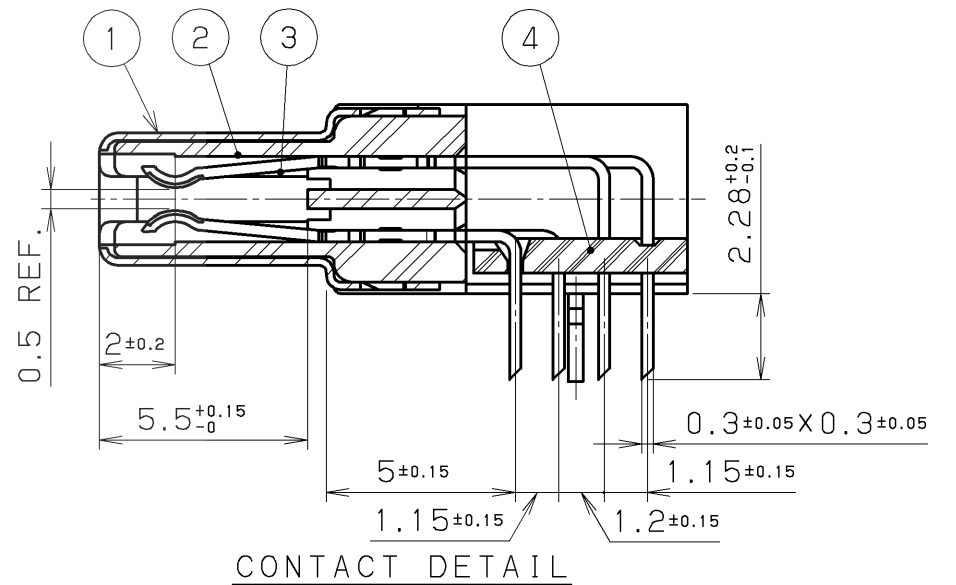
RECOMMENDED P.C.B. LAYOUT (MOUNT SIDE VIEW)
(t=1.6 SCALE=5/1)



RECOMMENDED PANEL CUT-OUT DIMENSIONS

NOTE
1. CONTACT PLATING
MATING AREA : 0.76 MICRO METERS MINIMUM GOLD PLATING
TERMINATION AREA : 0.05 MICRO METERS GOLD PLATING
UNDERPLATING : NICKEL PLATING
2. MATING CONNECTOR
HDR-E () MAG1+
HDR-E () MSG1+

3. SPECIFICATION
RATED CURRENT 0.5A
RATED VOLTAGE 125V AC (r. m. s.)
4. TWO LOCK SCREWS ARE SUPPLIED WITH A CONNECTOR.



6	LOCK SCREW	STEEL	2	NICKEL PLATING	
5	BOARD LOCK PIN	PHOSPHOR BRONZE	2	TIN PLATING	
4	BRACKET	PPS (GF)	1		UL94V-0 BLACK
3	FEMALE CONTACT	PHOSPHOR BRONZE	n	NOTE. #1	
2	INSULATOR	PA9T (GF)	1		UL94V-0 BLACK
1	SHELL	STEEL	1	NICKEL PLATING	

Δ	DATE	BY	REV.	DESCRPT	No.	PART NAME	MATERIAL	QTY	FINISH	NOTE
Δ	Jul-11 2012	M. K		Add P/N						
Δ	May-18 2011	Y. K		Revise (Tolerance)						
Δ	Nov 20 2009	K. E		Add P/N						
Δ	Nov-29 2007	Y. K		Add 50 pos.						

LTR.	DATE	BY	REV.	DESCRPT	No.	PART NAME	MATERIAL	QTY	FINISH	NOTE
	Nov.21, 2006		2 / 1							
DATE						SCALE	UNIT	3RD. A. P		
APP. DATE&REV.						HONDA TSUSHIN KOGYO CO., LTD.				
DR.	DE.	CHK.	CHK.	APP.	NAME		0.8mm SPACING RIGHTANGLE FEMALE CONNECTOR			
M. KASHIHARA	M. KASHIHARA			Y. KATO	PART NO.		HDR-EC () LFDTG2- () +			
							REV.		4D	