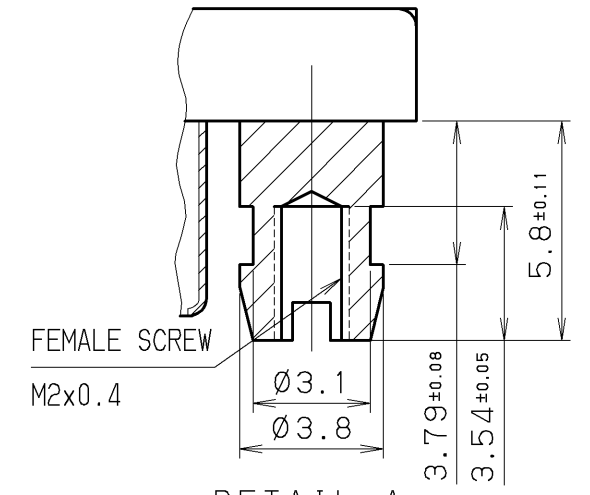
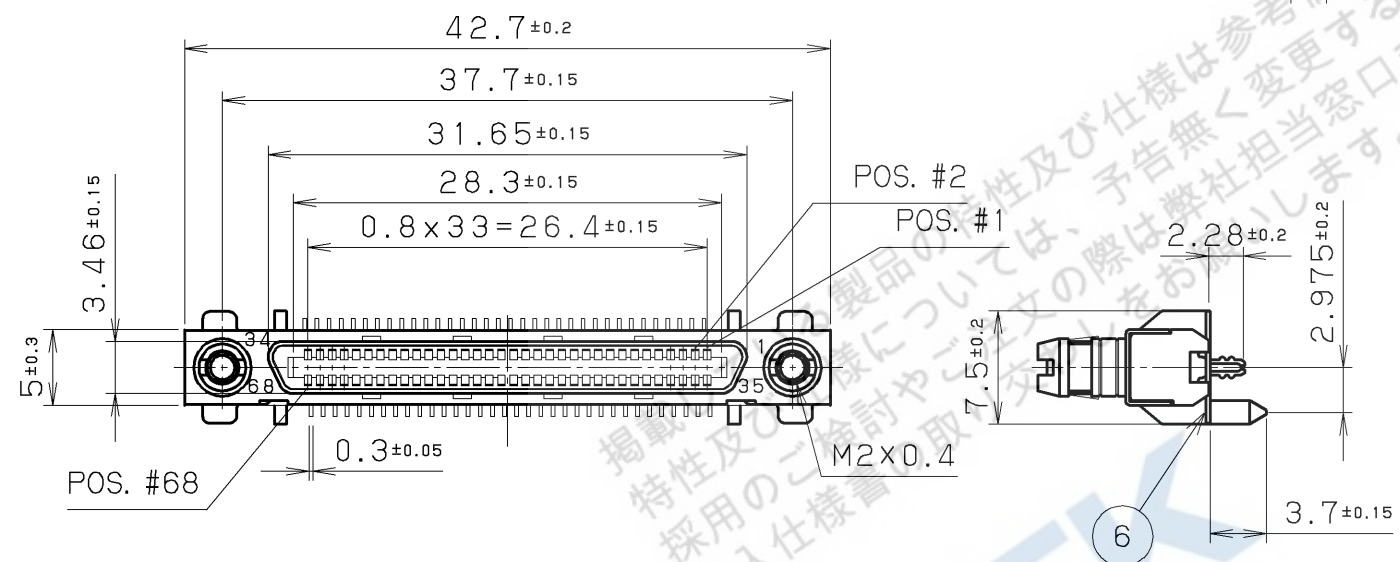
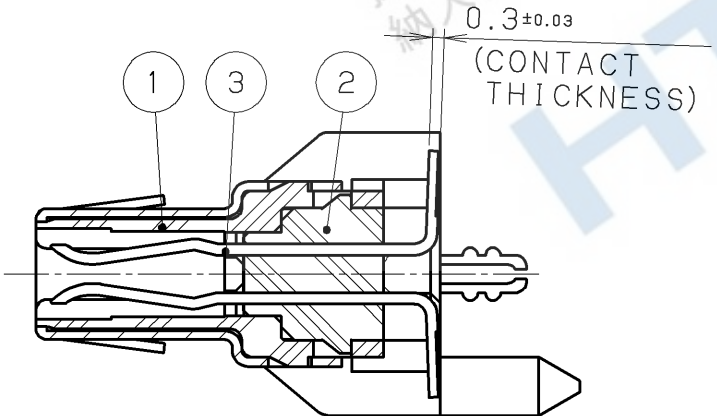


RECOMMENDED P. C. B. LAYOUT
(MOUNT SIDE VIEW) (t=1.6)
(SCALE=4/1)



DETAIL A
(SCALE=5/1)



CONTACT DETAIL
(SCALE=5/1)

NOTE 1. CONTACT PLATING
CONTACT AREA: GOLD 0.1µm MIN. OVER PALLADIUM/NICKEL 0.5 µm
TERMINAL AREA: GOLD 0.05µm
ALL OVER NICKEL UNDERPLATED.

7	LOCK SCREW	STEEL	2	NICKEL PLATING	M2x0.4
6	HOLD DOWN	PHOSPHOR BRONZE	2	NICKEL PLATING	—
5	SQR. NUT	BRASS	2	NICKEL PLATING	M2x0.4
4	SHELL	STEEL	1	NICKEL PLATING	—
3	CONTACT	PHOSPHOR BRONZE	68	SEE NOTE #1	—
2	INSULATOR B	LCP	1	—	UL94V-0 BLACK
1	INSULATOR A	PPS	1	—	UL94V-0 BLACK

LTR.	DATE	BY	REV.	DESCRIPT	No.	PART NAME	MATERIAL	QTY	FINISH	NOTE
	Dec. 15. 2005	Y. KATO	2	Revise						
DATE						SCALE	UNIT	3RD. A. P		
APP. DATE & REV.								HONDA TSUSHIN KOGYO CO., LTD.		
DR.	DE.	CHK.	CHK.	APP.		NAME	0.8mm SPACING 68POS. FEMALE CONNECTOR SMT TYPE			
Y. KATO	Y. KATO	—	—	H. EBIHARA		PART NO.	HDRA-E68FYT-SLD+		REV.	1A