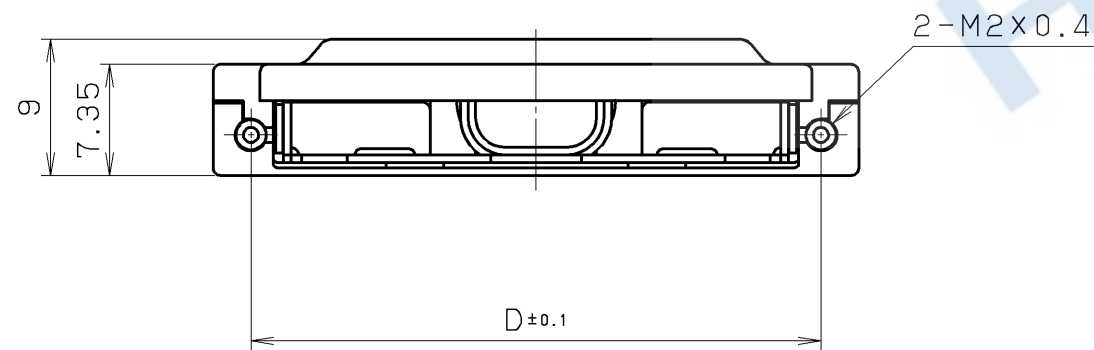


CONNECTOR
 △ P/N:HDRA-E () MC1

AFTER CONNECTOR ASSEMBLY DRAWING
 (COVER A&B:ULTRA-SONIC WELDING)



△				6	CAP	ABS	2		UL94V-0 BLACK
△				5	LOCK SCREW	STEEL	2	NICKEL	
△				4	BACK SHELL B	STEEL	1	NICKEL	
△				3	BACK SHELL A	STEEL	1	NICKEL	
△	Oct-20 2003	Y. K	NOTE	2	COVER B	ABS	1		UL94V-0 BLACK
△	JAN-30 1998	A. M	ADD *-E36LGKPF*	1	COVER A	ABS	1		UL94V-0 BLACK

LTR.	DATE	BY	REV.	DESCRIPT	No.	PART NAME	MATERIAL	QTY	FINISH	NOTE
DATE		SCALE		UNIT		3RD. A. P				
30. APR. 1997		2 / 1		mm (INCH)		HONDA TSUSHIN KOGYO CO., LTD.				
APP. DATE&REV.						NAME				
Y. KATO						HDRA-E TYPE CABLE COVER				
Y. KATO						PART NO.				
C. NUNOKAWA						HDRA-E () LGKPF △				
H. EBIHARA						REV. 2B				

HDRA-E68LGKPF	7.2	10.5	42.7	37.7	7
△ HDRA-E36LGKPF	5.0	7.5	29.9	24.9	5.4
PART No.	A	B	C	D	E

△ UNDER CONSIDERATION