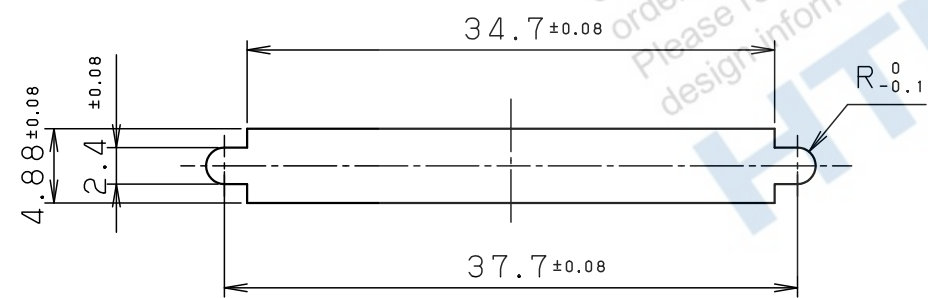
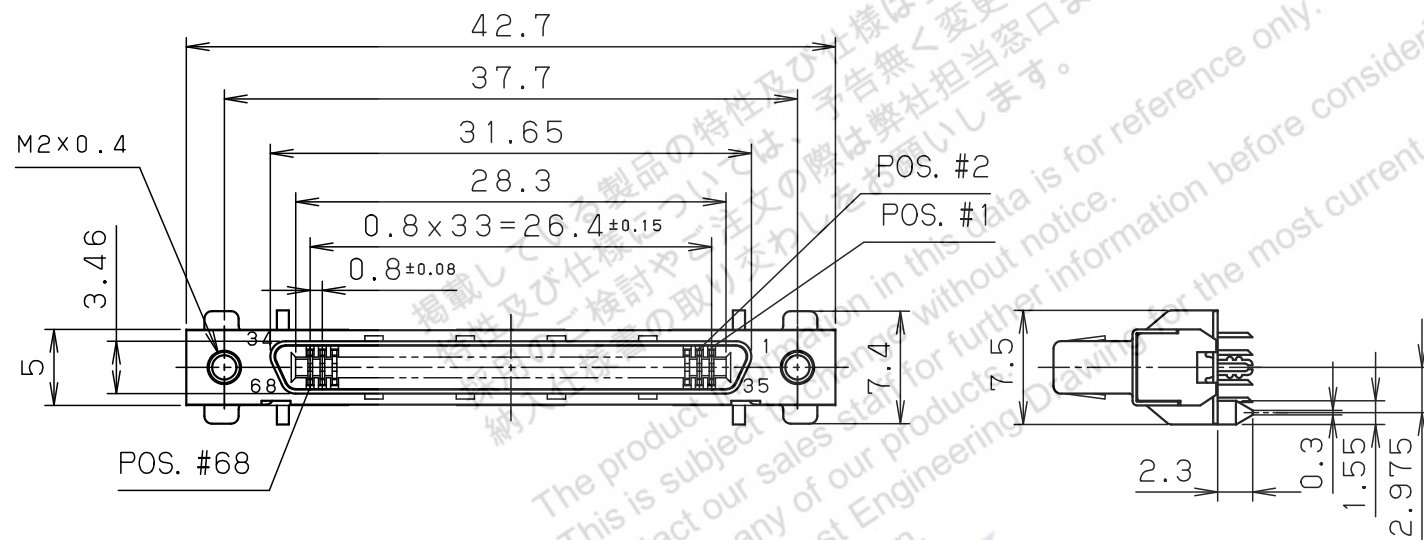
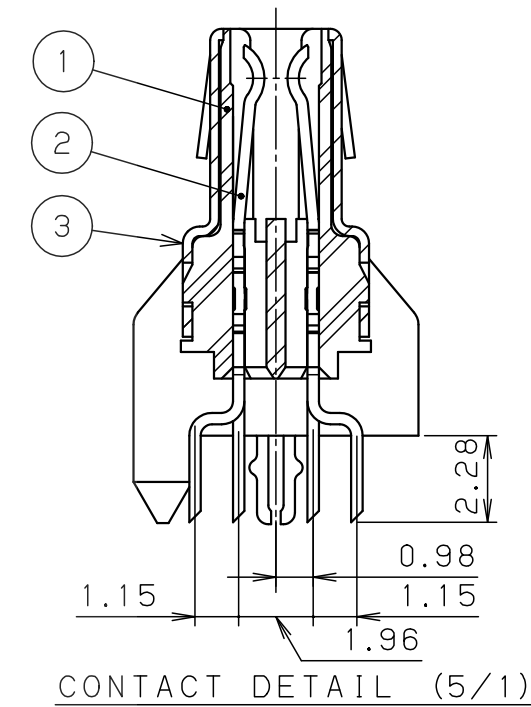


RECOMMENDED P.C.B. LAYOUT
(MOUNT SIDE VIEW) Pad



RECOMMENDED
PANEL CUT-OUT DIMENSIONS



NOTE 1. CONTACT PLATING
CONTACT AREA: GOLD 0.76 μm MIN.
TERMINAL AREA: GOLD 0.05 μm
ALL OVER NICKEL UNDERPLATED.

5	HOLD DOWN	PHOSPHOR BRONZE	2	NICKEL PLATING	
4	SQR. NUT	BRASS	2	NICKEL PLATING	M2x0.4
3	SHELL	STEEL	1	NICKEL PLATING	
2	CONTACT	PHOSPHOR BRONZE	68	SEE NOTE 1	
1	INSULATOR	PA9T	1		UL94V-0 BLACK

LTR.	DATE	BY	REV.	DESCRIPT	No.	PART NAME	MATERIAL	QTY	FINISH	NOTE
	DATE									
	Sep.21.2012									
	SCALE									
	2 / 1									
	UNIT									
	mm (INCH)									
	3RD. A. P									
	APP. DATE&REV.									
	DR.	DE.	CHK.	CHK.	APP.	NAME	0.8mm SPACING 68POS. FEMALE CONNECTOR			
	Y. KATO	Y. KATO			K. KASHIO	PART NO.	HDRA-EC68FDT+			REV. A