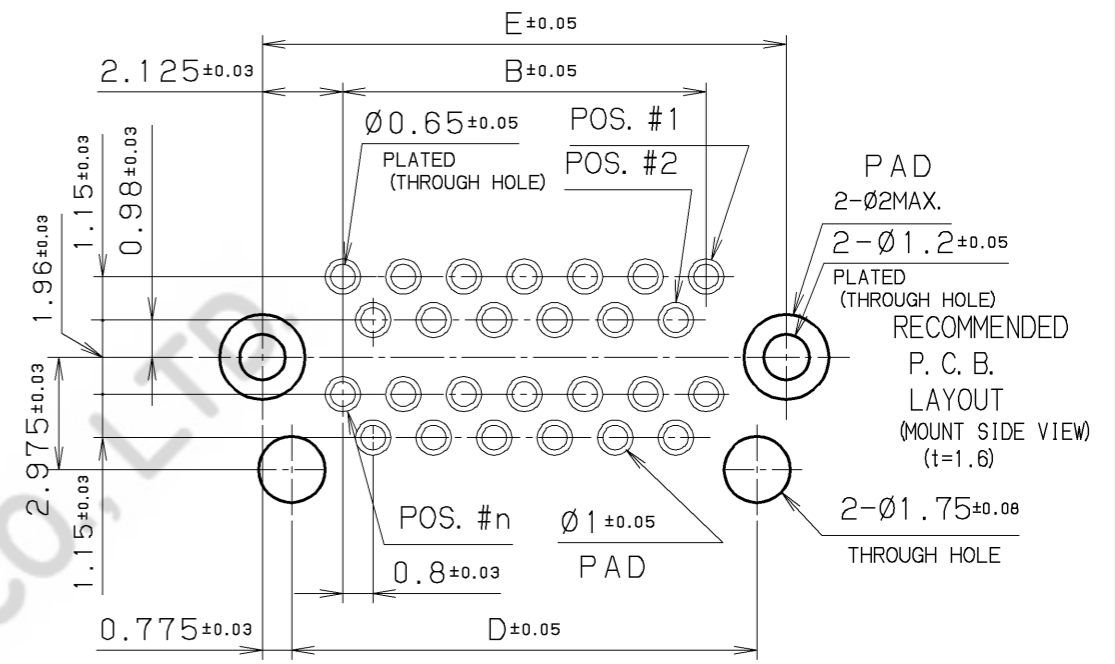
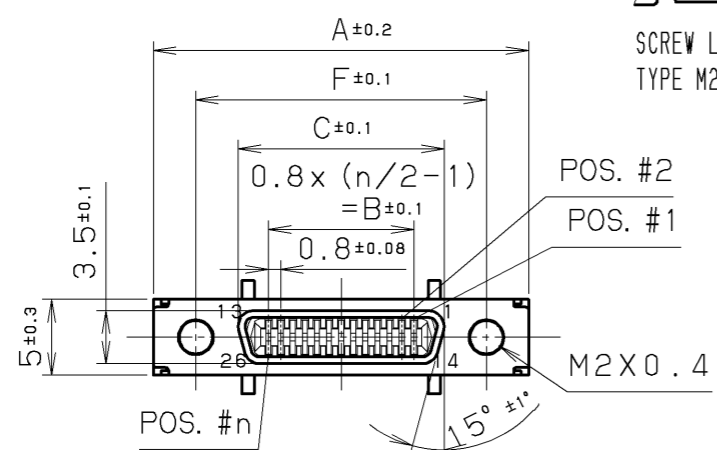
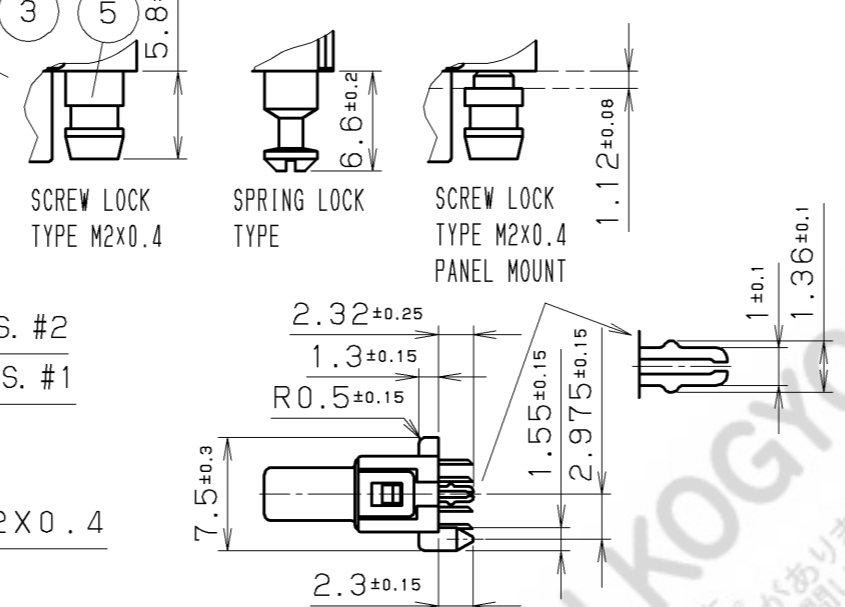


PART No.	TYPE	NOTE
HDR-EC () FDTG () +		
HDR-EC () FDTG () -SL+	SCREW LOCK (PANEL MOUNT)	SEE NOTE. #4
HDR-EC () FDTG () -SLD+	SCREW LOCK TYPE	
HDR-EC () FDTG () -SLE+	SPRING LOCK TYPE	

LOCK SCREWS

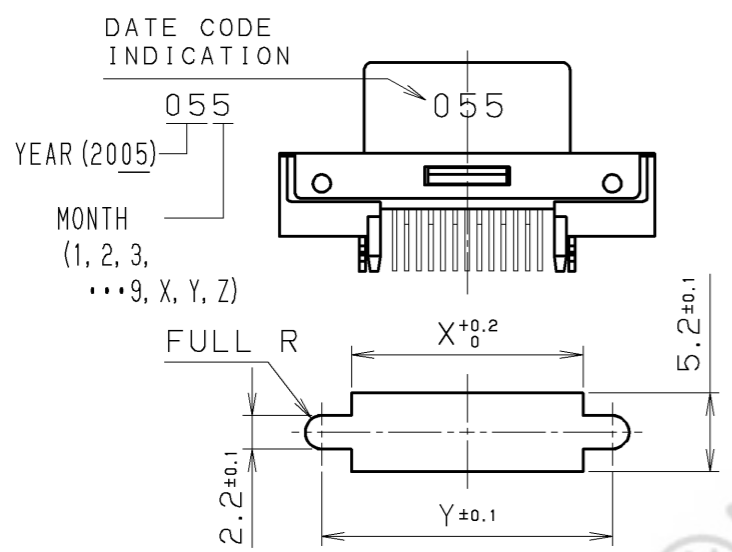


- 1. CONTACT PLATING
MATING AREA: GOLD PLATING
TERMINATION AREA: GOLD PLATING

PART No.	MATING AREA	TERMINATION AREA
HDR-EC () FDTG2- () +	0.76µm MIN.	0.05µm MIN.

UNDERPLATING: NICKEL PLATING 1.3µm MIN.

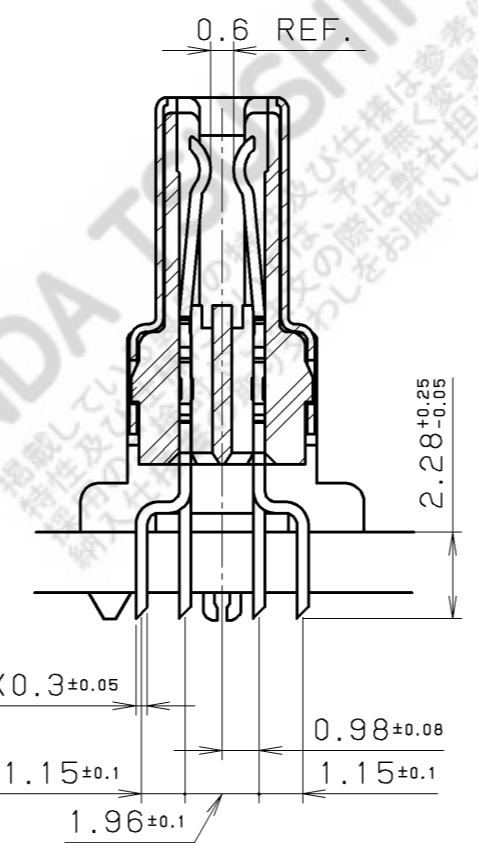
- 2. MATING CONNECTOR
HDR-E () MAG1
HDR-E () MAG1+
- 3. SPECIFICATION
RATED CURRENT 0.5A
RATED VOLTAGE 125V AC (r. m. s.)
- 4. TWO LOCK SCREWS ARE SUPPLIED WITH A CONNECTOR.



RECOMMENDED PANEL CUT-OUT DIMENSIONS

(t=1.12±0.08)

No. of contacts	X	Y
14	10.5	14.4
26	15.3	19.2



n (NO. OF POS.)	A	B	C	D	E	F
26	24.8	0.8x12=9.6	13.6	12.3	13.85	19.2
14	20	0.8x6=4.8	8.8	7.5	9.05	14.4

DIMENSIONS

QTY	PART NAME	MATERIAL	FINISH	NOTE
5	LOCK SCREW	STEEL	NICKEL PLATING	
4	BOARD LOCK PIN	PHOSPHOR BRONZE	NICKEL PLATING	
3	SHELL	STEEL	NICKEL PLATING	
2	CONTACT	PHOSPHOR BRONZE	SEE NOTE #1	
1	INSULATOR	PA9T	UL94V-0 BLACK	

LTR.	DATE	BY	REV.	DESCRIPT	No.	PART NAME	MATERIAL	QTY	FINISH	NOTE
	May.26.2005		2 / 1							

DATE	SCALE	UNIT	3RD. A. P	HONDA TSUSHIN KOGYO CO., LTD.		
May.26.2005	2 / 1	mm (INCH)				
DR.	DE.	CHK.	CHK.	APP.	NAME	0.8mm SPACING FEMALE CONNECTOR (THROUGH HOLE TYPE)
Y. KATO	Y. KATO		C. NUNOKAWA	H. EBIHARA	PART NO.	HDR-EC () FDTG () - () +