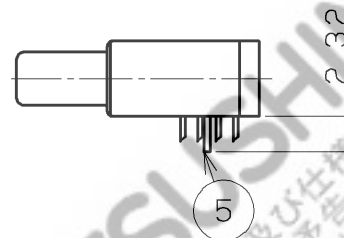
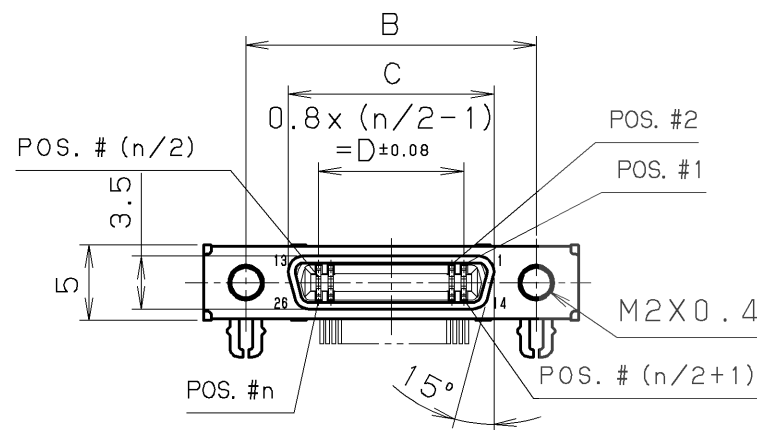
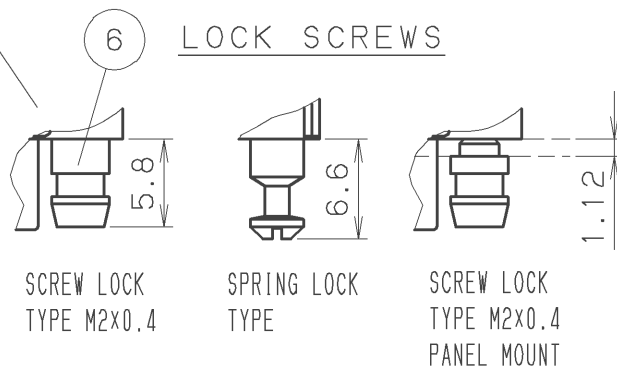
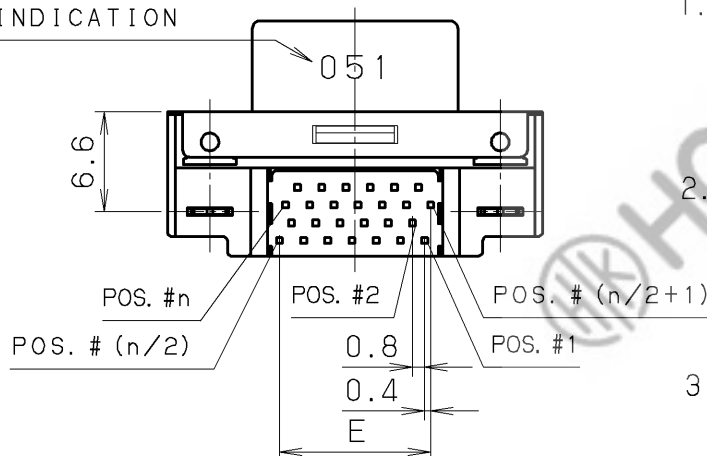


PART No.	TYPE	NOTE
HDR-EC()LFDT+	—	—
HDR-EC()LFDT-SLD+	SCREW LOCK TYPE	—
HDR-EC()LFDT-SLE+	SPRING LOCK TYPE	—
HDR-EC()LFDT-SLG+	SCREW LOCK (PANEL MOUNT)	SEE NOTE. #4



DATE CODE INDICATION



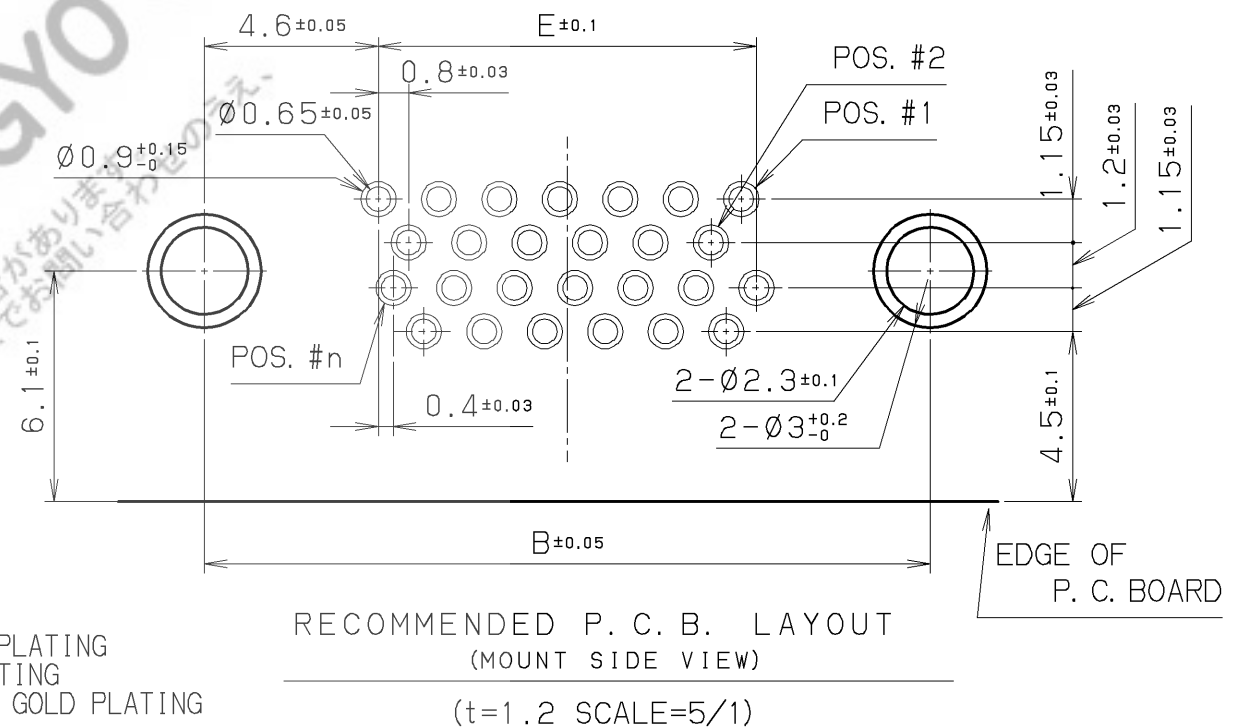
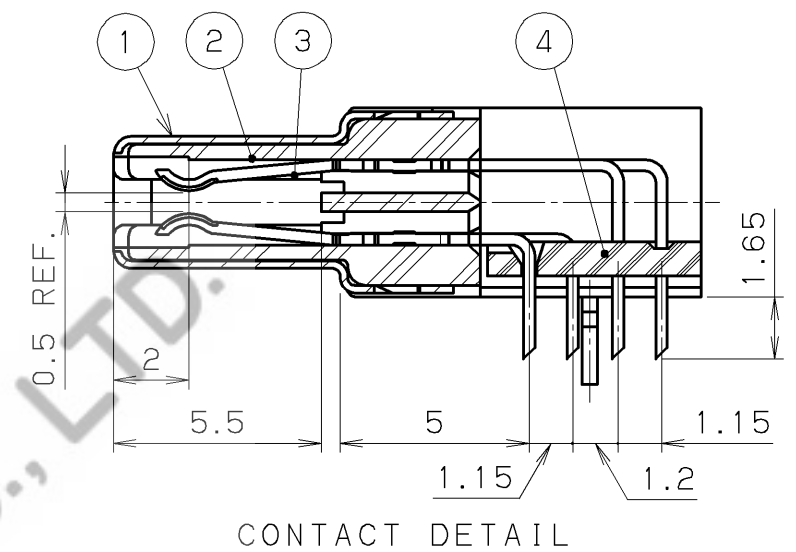
NOTE
 1. CONTACT PLATING
 MATING AREA: 0.1 MICRO METERS MINIMUM GOLD PLATING
 OVER PALLADIUM/NICKEL 0.5 MICRO METERS PLATING
 TERMINATION AREA: 0.05 MICRO METERS MINIMUM GOLD PLATING

UNDERPLATING: NICKEL PLATING

2. MATING CONNECTOR
 HDR-E()MAG1+

3. SPECIFICATION
 RATED CURRENT 0.5A
 RATED VOLTAGE 125V AC (r. m. s.)

4. TWO LOCK SCREWS ARE
 SUPPLIED WITH A CONNECTOR.



6	LOCK SCREW	STEEL	2	NICKEL	—
5	BOARD LOCK	PHOSPHOR BRONZE	2	TIN	—
4	BRACKET	PPS (GF)	1	—	UL94V-0 BLACK
3	FEMALE CONTACT	PHOSPHOR BRONZE	n	NOTE. #1	—
2	INSULATOR	PA9T (GF)	1	—	UL94V-0 BLACK
1	SHELL	STEEL	1	NICKEL	—

LTR.	DATE	BY	REV.	DESCRIPT	No.	PART NAME	MATERIAL	QTY	FINISH	NOTE	
△											
△											
△											
DATE					SCALE	UNIT	3RD. A. P				
Jan.20.2005					2 / 1	mm (INCH)	HONDA TSUSHIN KOGYO CO., LTD.				
APP. DATE&REV.					DR.		CHK.		APP.		NAME
					Y. KATO		—		H. EBIHARA		
					Y. KATO		C. NUNOKAWA		H. EBIHARA		PART NO.
											REV.

PART NO.	n (NO. OF POS.)	A	B	C	D	E
HDR-EC50LFDT-()+	50	34.4	28.8	23.2	0.8x24=19.2	19.6
HDR-EC26LFDT-()+	26	24.8	19.2	13.6	0.8x12=9.6	10
HDR-EC14LFDT-()+	14	20	14.4	8.8	0.8x6=4.8	5.2
DIMENSIONS						