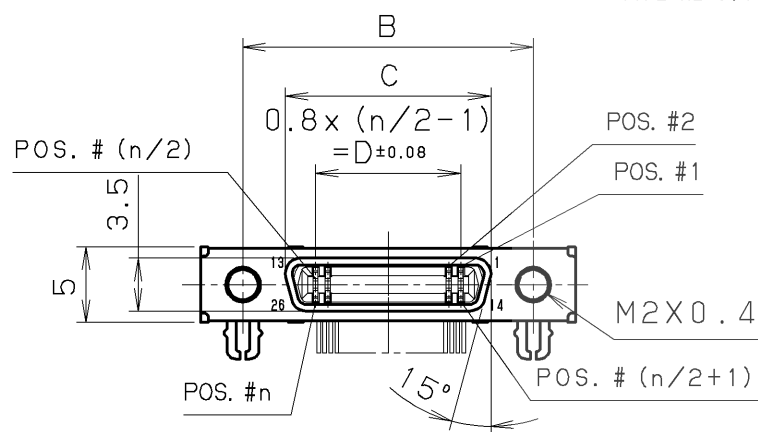
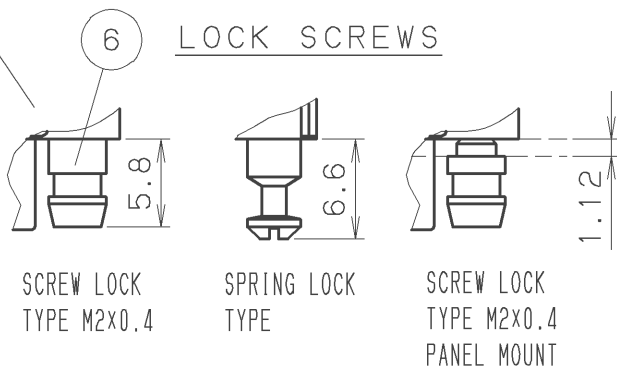
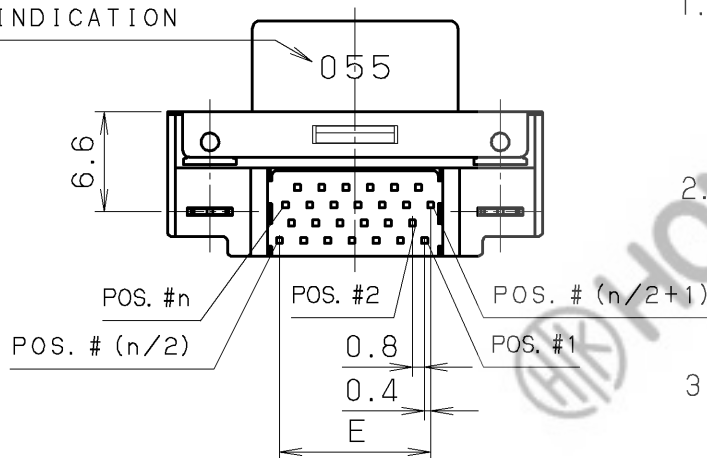


PART No.	TYPE	NOTE
HDR-EC()LFDT1+	—	—
HDR-EC()LFDT1-SLD+	SCREW LOCK TYPE	—
HDR-EC()LFDT1-SLE+	SPRING LOCK TYPE	—
HDR-EC()LFDT1-SLG+	SCREW LOCK (PANEL MOUNT)	SEE NOTE. #4



DATE CODE INDICATION



NOTE

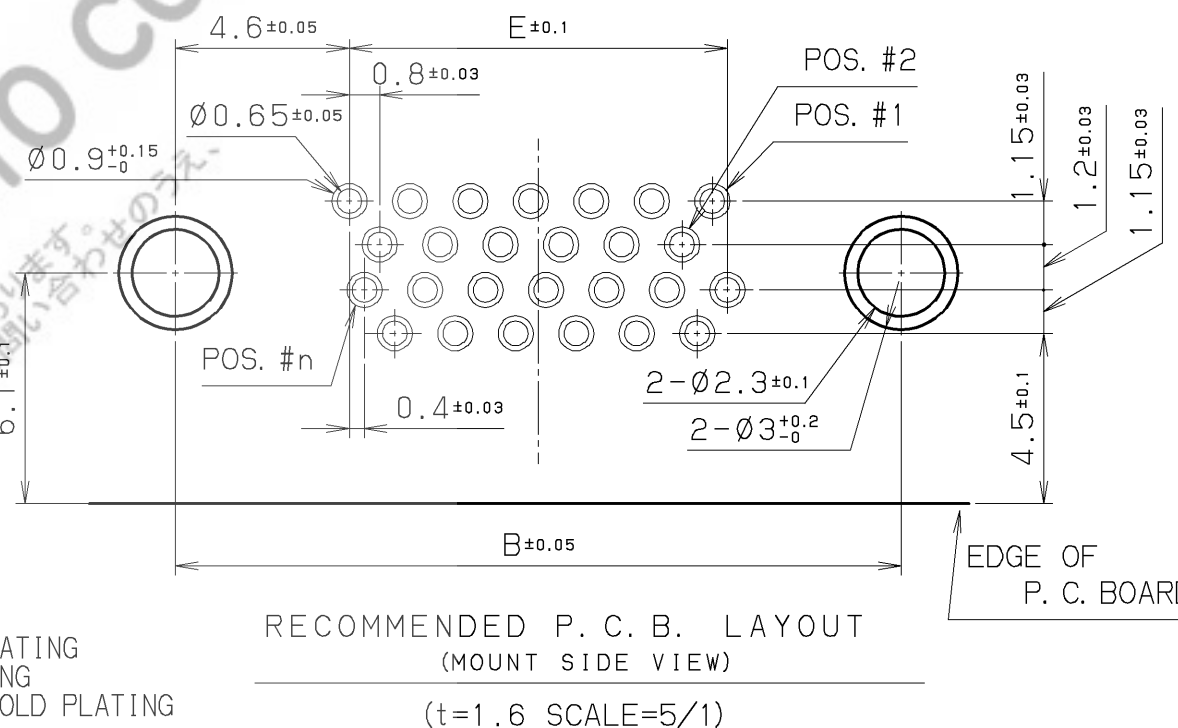
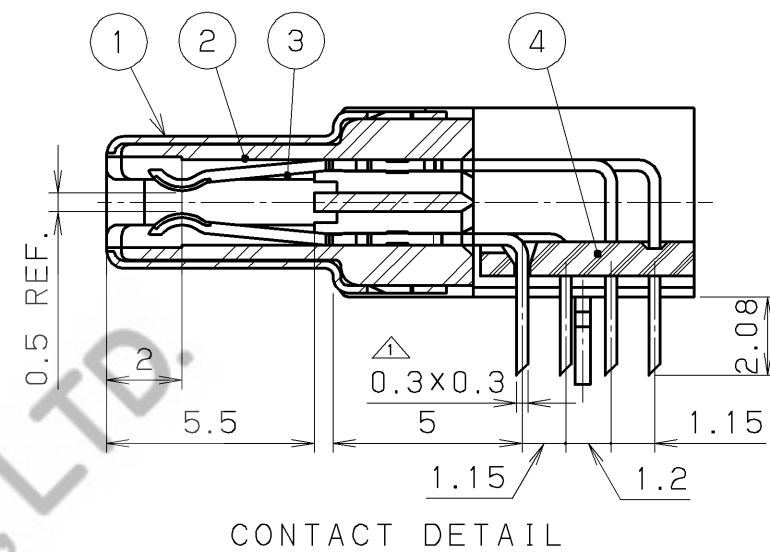
1. CONTACT PLATING
 MATING AREA: 0.1 MICRO METERS MINIMUM GOLD PLATING
 OVER PALLADIUM/NICKEL 0.5 MICRO METERS PLATING
 TERMINATION AREA: 0.05 MICRO METERS MINIMUM GOLD PLATING

UNDERPLATING: NICKEL PLATING

2. MATING CONNECTOR
 HDR-E()MAG1+

3. SPECIFICATION
 RATED CURRENT 0.5A
 RATED VOLTAGE 125V AC (r. m. s.)

4. TWO LOCK SCREWS ARE SUPPLIED WITH A CONNECTOR.



PART NO.	n (NO. OF POS.)	A	B	C	D	E	RELEASE
HDR-EC50LFDT1-()+	50	34.4	28.8	23.2	0.8x24=19.2	19.6	YES
HDR-EC26LFDT1-()+	26	24.8	19.2	13.6	0.8x12=9.6	10	YES
HDR-EC14LFDT1-()+	14	20	14.4	8.8	0.8x6=4.8	5.2	YES

No.	PART NAME	MATERIAL	QTY	FINISH	NOTE
6	LOCK SCREW	STEEL	2	NICKEL	—
5	BOARD LOCK	PHOSPHOR BRONZE	2	TIN	—
4	BRACKET	PPS (GF)	1	—	UL94V-0 BLACK
3	FEMALE CONTACT	PHOSPHOR BRONZE	n	NOTE. #1	—
2	INSULATOR	PA9T (GF)	1	—	UL94V-0 BLACK
1	SHELL	STEEL	1	NICKEL	—

LTR.	DATE	BY	REV.	DESCRIPT	No.	PART NAME	MATERIAL	QTY	FINISH	NOTE
	Oct. 18 2005	Y. K		Added Dim.	1	SHELL	STEEL	1	NICKEL	—

DATE	SCALE	UNIT	3RD. A. P	HONDA TSUSHIN KOGYO CO., LTD.						
May. 25. 2005	2 / 1	mm (INCH)		DR.	DE.	CHK.	CHK.	APP.	NAME	0.8mm SPACING RIGHTANGLE FEMALE CONNECTOR
				Y. KATO	Y. KATO	—	C. NUNOKAWA	H. EBIHARA	PART NO.	HDR-EC()LFDT1-()+
									REV.	1B