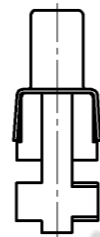
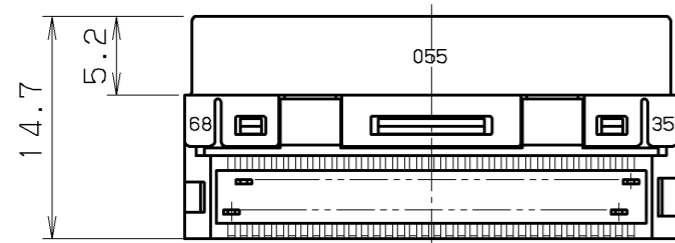
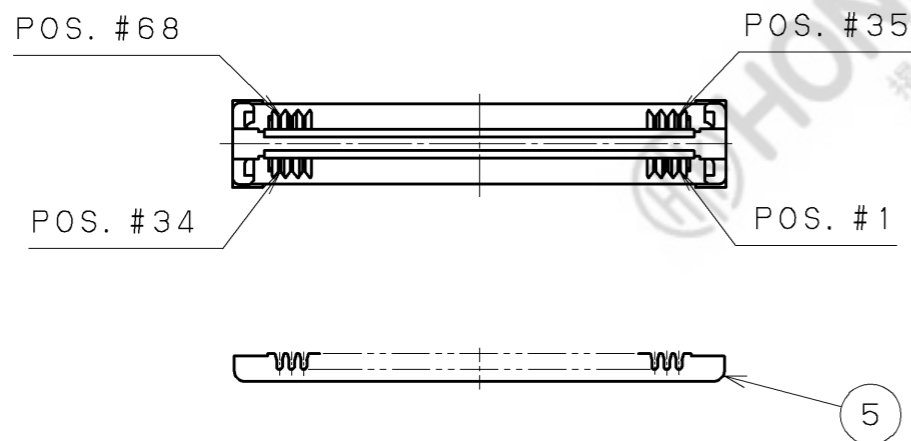


CONTACT DETAIL  
(SCALE=5/1)



- NOTE 1. CONTACT PLATING  
 CONTACT AREA: GOLD 0.76 μm MIN.  
 TERMINAL AREA: GOLD 0.05 μm  
 ALL OVER NICKEL PLATING
2. APPLICABLE CABLE COVER P/N: HDRA-E68LPT ( )  
 3. MATING CONNECTOR P/N: HDRA-E68LMDT AND OTHERS  
 4. APPLICABLE CABLE WIRE SIZE: AWG#30 (7/0.1)  
 Ø0.58 (CORE JACKET O. D.)



5	CABLE HOUSING	PBT (GF)	2		UL94V-0 GRAY
4	SPACER	PBT (GF)	2		UL94V-0 BLACK
3	SHELL	STEEL	1	NICKEL PLATING	
2	INSULATOR	PBT (GF)	1		UL94V-0 BLACK
1	CONTACT	PHOSPHOR BRONZE	68	SEE NOTE 1	

LTR.	DATE	BY	REV.	DESCRIPT	No.	PART NAME	MATERIAL	QTY	FINISH	NOTE
	SEP. 18 2007	Y. K	REVISE							

DATE	SCALE	UNIT	3RD. A. P	HONDA TSUSHIN KOGYO CO., LTD.					
May. 27. 2005	2 / 1	mm (INCH)		NAME	0.8mm SPACING 68POS. CABLE IDC FEMALE CONNECTOR				
APP. DATE&REV.	DR.	DE.	CHK.	CHK.	APP.	PART NO.	HDRA-E68FAG1+	REV.	1A
	Y. KATO	Y. KATO		C. NUNOKAWA	K. KASHIO				