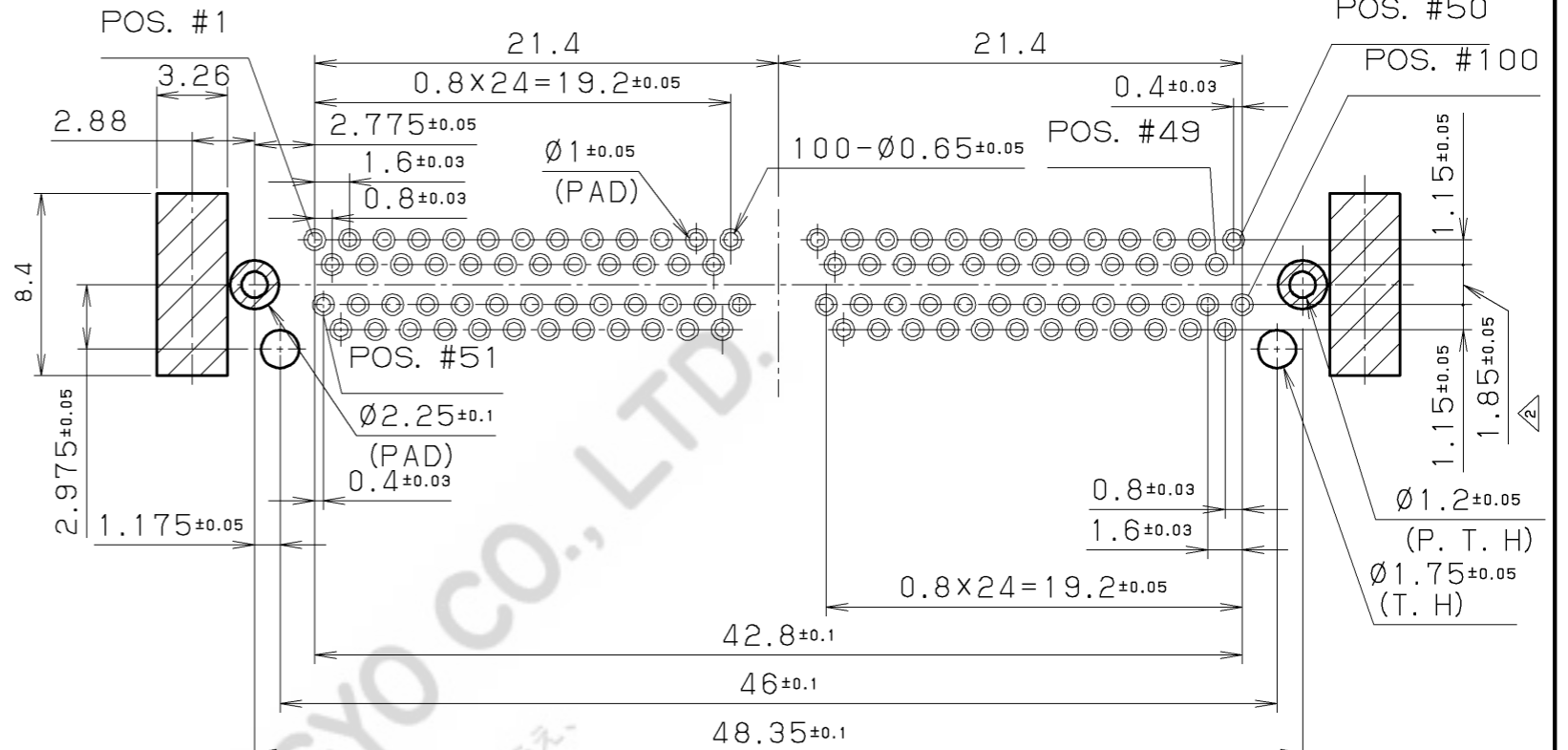


DATE CODE INDICATION

04Z

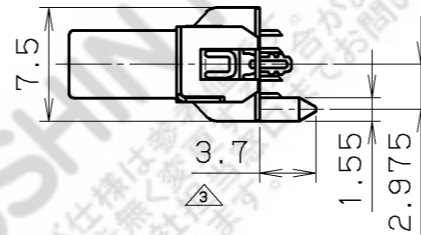
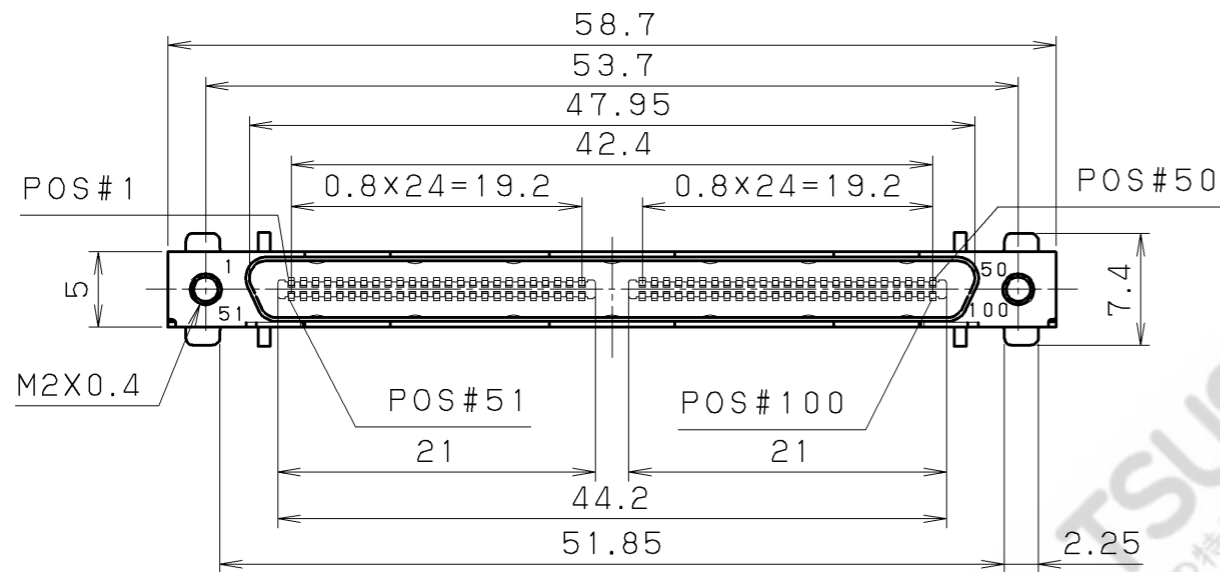
MONTH (1, 2, 3...9, X, Y, Z)
YEAR (2004)



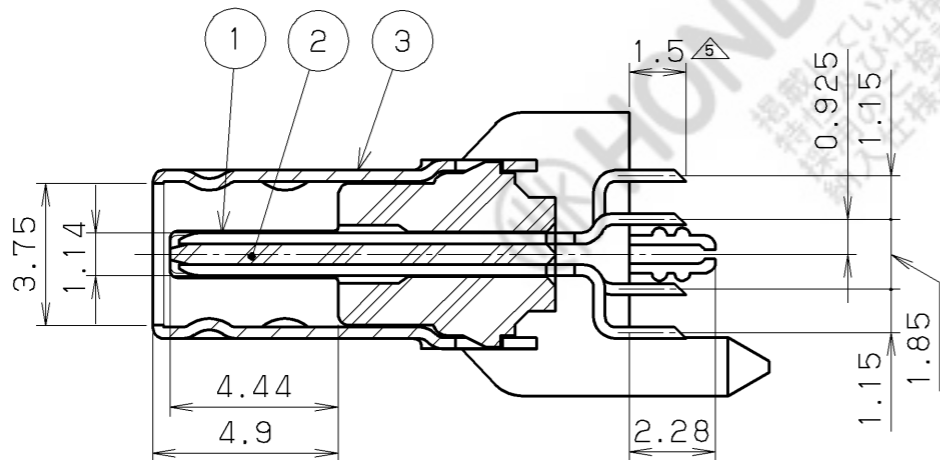
RECOMMENDED P. C. B. LAYOUT (t=1)
(MOUNT SIDE VIEW)



(SCALE=3/1)



NOTE 1. CONTACT PLATING
CONTACT AREA: GOLD 0.76 μm MIN.
TERMINAL AREA: GOLD 0.05 μm
ALL OVER NICKEL UNDERPLATED.

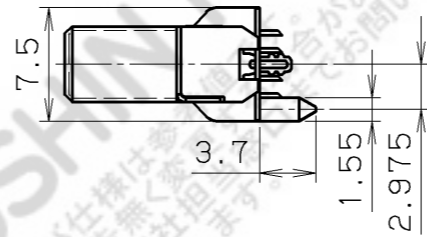
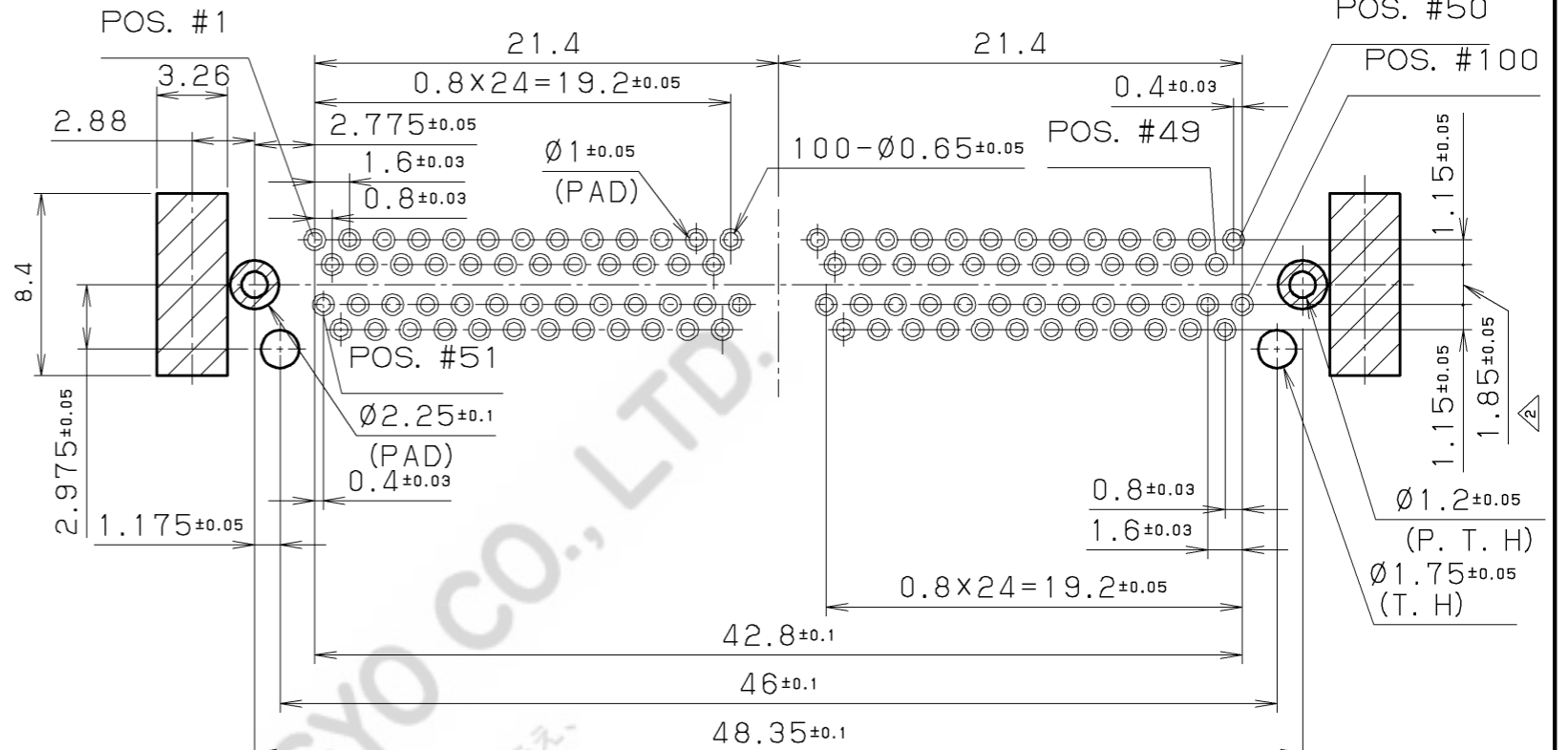
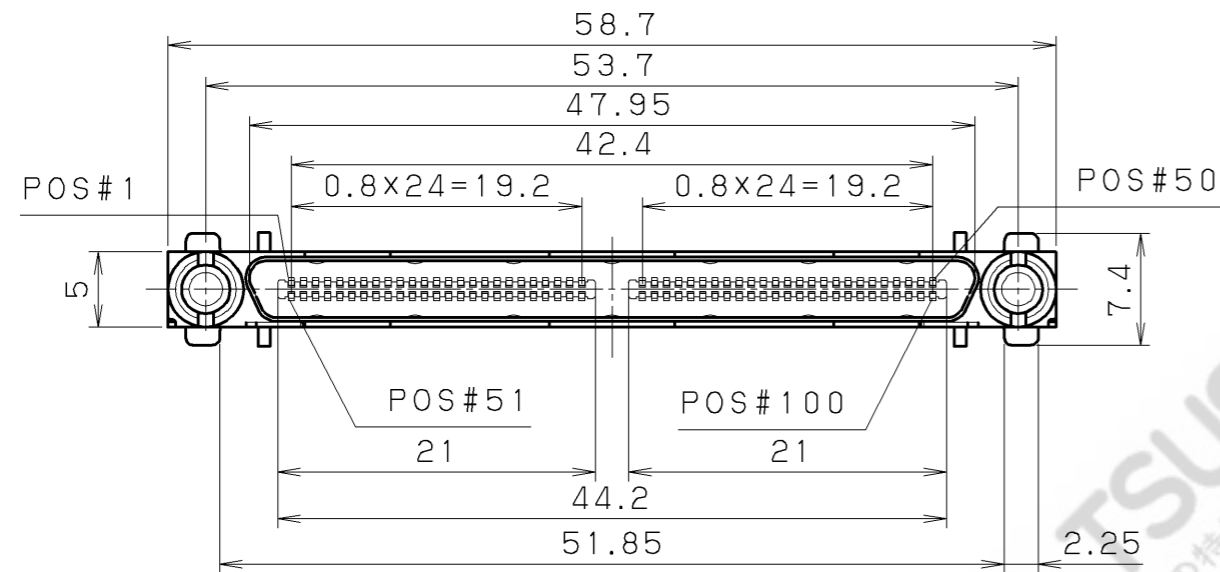
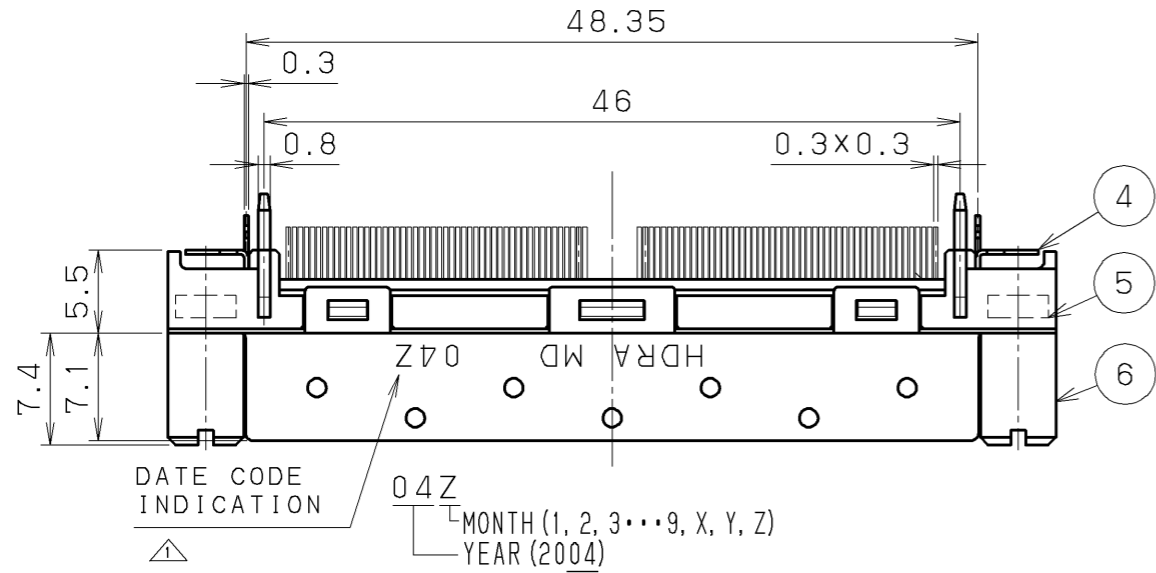


CONTACT DETALE (5/1)

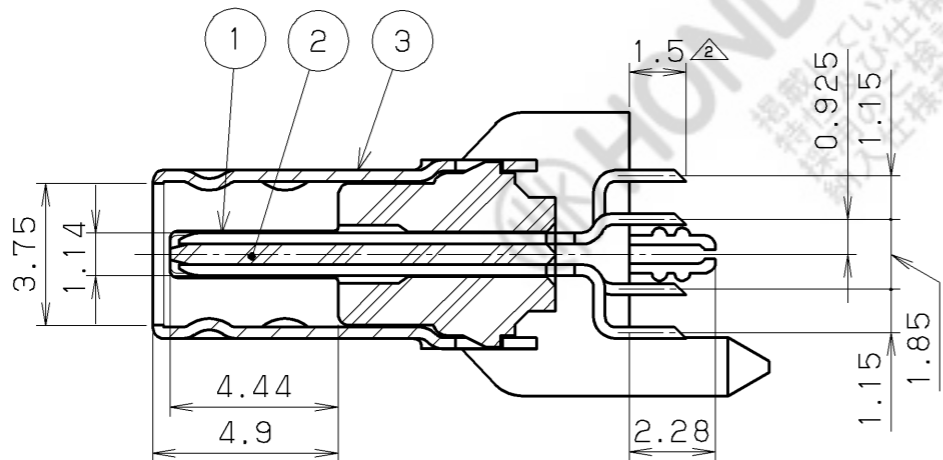
5	Apr. 06 2005	M. M	DIM.	5	SQR. NUT	BRASS	2	NICKEL PLATING	M2x0.4
4	Dec. 13 2004	Y. K	DATE CODE	4	HOLD DOWN	PHOSPHOR BRONZE	2	NICKEL PLATING	
3	Oct. 15 2004	Y. K	REVISE (DIM.)	3	SHELL	STEEL	1	NICKEL PLATING	
2	Oct. 6 2004	Y. K	PCB	2	INSULATOR	PA9T	1		UL94V-0 BLACK
1	Oct. 1 2004	Y. K	PCB	1	CONTACT	PHOSPHOR BRONZE	100	SEE NOTE 1	

LTR.	DATE	BY	REV.	DESCRIPT	No.	PART NAME	MATERIAL	QTY	FINISH	NOTE
------	------	----	------	----------	-----	-----------	----------	-----	--------	------

DATE		SCALE		UNIT		3RD. A. P		HONDA TSUSHIN KOGYO CO., LTD.		
Sep. 3. 2004		2 / 1		mm (INCH)						
APP. DATE & REV.										
DR.	DE.	CHK.	CHK.	APP.	NAME	0.8mm SPACING 100POS. MALE CONNECTOR				
M. MIYAZAKI	M. MIYAZAKI		C. NUNOKAWA	H. EBIHARA	PART NO.	HDRA-EC100MDT+				REV. 5E



NOTE 1. CONTACT PLATING
 CONTACT AREA: GOLD 0.76 μm MIN.
 TERMINAL AREA: GOLD 0.05 μm
 ALL OVER NICKEL UNDERPLATED.



CONTACT DETALE (5/1)

6	GUIDE BUSHING	STEEL	2	NICKEL PLATING	
5	SQR. NUT	BRASS	2	NICKEL PLATING	M2x0.4
4	HOLD DOWN	PHOSPHOR BRONZE	2	NICKEL PLATING	
3	SHELL	STEEL	1	NICKEL PLATING	
2	INSULATOR	PA9T	1		UL94V-0 BLACK
1	CONTACT	PHOSPHOR BRONZE	100	SEE NOTE 1	

LTR.	DATE	BY	REV.	DESCRIPT	No.	PART NAME	MATERIAL	QTY	FINISH	NOTE
△										
△	Apr. 06 2005	M. M		DIM.						
△	Dec. 13 2004	Y. K		DATE CODE						

DATE		SCALE		UNIT		3RD. A. P		HONDA TSUSHIN KOGYO CO., LTD.			
Nov. 24. 2004		2 / 1		mm (INCH)							
APP. DATE & REV.		DR.		DE.		CHK.		CHK.		APP.	
		M. MIYAZAKI		M. MIYAZAKI		C. NUNOKAWA		H. EBIHARA		NAME	
										0.8mm SPACING 100POS. MALE CONNECTOR	
										PART NO.	
										HDRA-EC100MDT-GP+	
										REV.	
										2B	