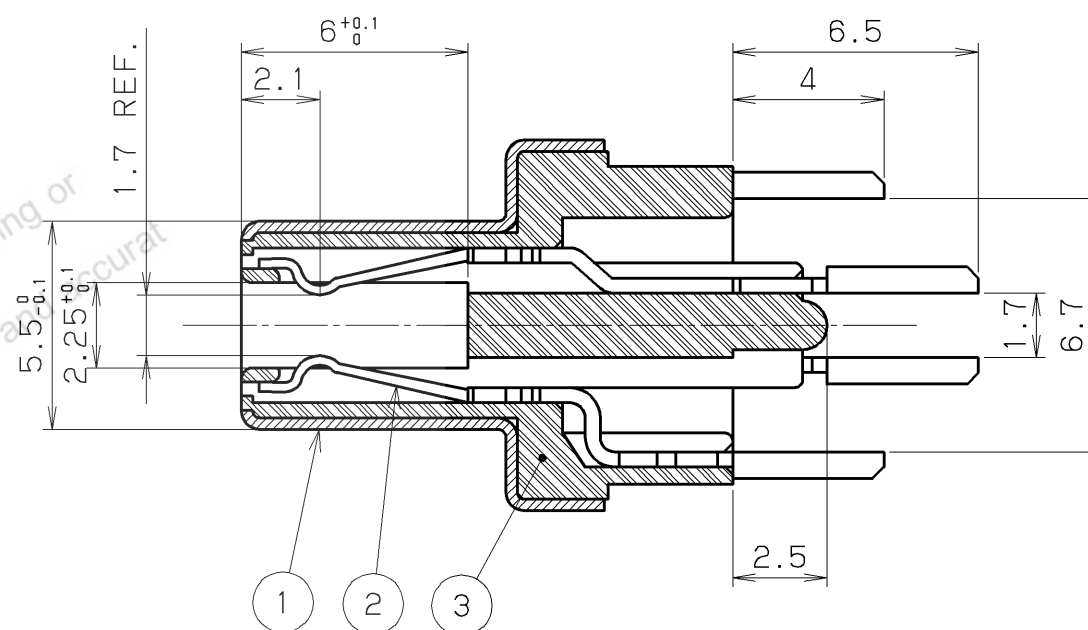
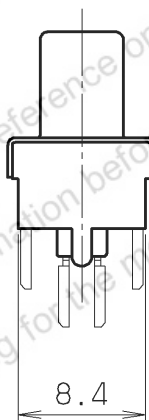
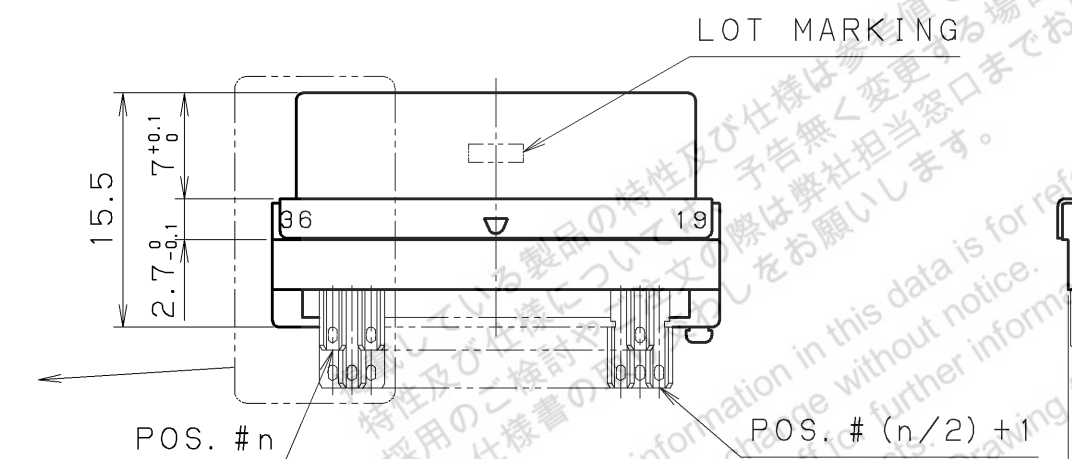
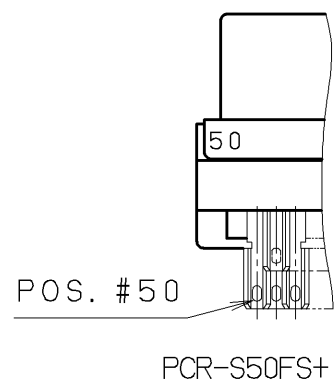
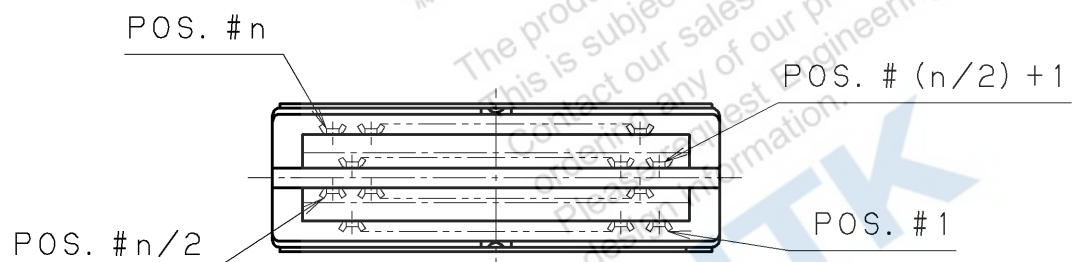


PART No.	n	A	B	C	D	IDENTIFICATION MARKING
PCR-S20FS+	20	19.40	13.35	1.27×9=11.43	16.25	PCR-S20FS
PCR-S28FS+	28	24.48	18.43	1.27×13=16.51	21.33	PCR-S28FS
PCR-S36FS+	36	29.56	23.51	1.27×17=21.59	26.41	PCR-S36FS
PCR-S50FS+	50	38.45	32.40	1.27×24=30.48	35.30	PCR-S50FS
PCR-S80FS+	80	57.50	51.45	1.27×39=49.53	54.35	PCR-S80FS



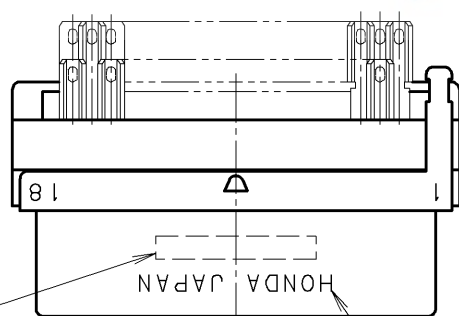
CONTACT DETAIL (5/1)



NOTE 1. CONTACT PLATING  
 CONTACT AREA: GOLD 0.2μm MIN.  
 TERMINATION AREA: GOLD  
 UNDERPLATING: NICKEL

RoHS COMPLIANT

MARKING  
(IDENTIFICATION)



HONDA JAPAN MARKING

LTR.	DATE	BY	REV.	DESCRIP	No.	PART NAME	MATERIAL	QTY	FINISH	NOTE
△					3	INSULATOR	PPS	1	—	UL94V-0 BLACK
△					2	CONTACT	PHOSPHOR BRONZE	n	SEE NOTE #1	—
△					1	SHELL	STEEL	1	NICKEL	—

LTR.	DATE	BY	REV.	DESCRIP	No.	PART NAME	MATERIAL	QTY	FINISH	NOTE

DATE	SCALE	UNIT	3RD. A. P	HONDA TSUSHIN KOGYO CO., LTD.		
MAR. 31. 2004	2 / 1	mm (INCH)				

DR.	DE.	CHK.	CHK.	APP.	NAME	1.27mm SPACING (RoHS)
T. KAWANO	T. KAWANO	T. SOGO	T. SATO	S. FURUSAWA		FEMALE CONNECTOR FOR SOLDER TYPE
					PART NO.	PCR-S ( ) FS+
					REV.	